

Figure 1: The D205 Keypad

### Description

The D205 Keypad is a low-profile, surface-mount, three-wire unit designed for use with the Radionics D2000 series Control/Communicators. The D205 features an illuminated keypad, an LED display, three programmable emergency keys, and a built-in sounder that emits several distinct tones.

The control/communicator supplies all power and data requirements for the D205 using a simple three-wire connection.

### The Display

LEDs are used to display system status. When events occur that affect points, the D205 illuminates the LED that corresponds with the point number.

### The Keys

The D205 Keypad has a CLEAR key, three programmable emergency keys, and number keys from 0 to 9. These keys are used to enter functions and personal passcodes into the panel. The \* key is not used.

### Response Tones

The D205 Keypad uses a sounder to annunciate system conditions. You can disable the sounder if you choose.

### Installing the Keypad

**Select a Mounting Location** - Do not locate the D205 in an area of extreme cold (example: a non insulated building, refrigerated room, outdoors, or where the temperature can drop below 32F°). Do not mount in a location exposed to direct sunlight, as the display will become less visible and inner components may become damaged.

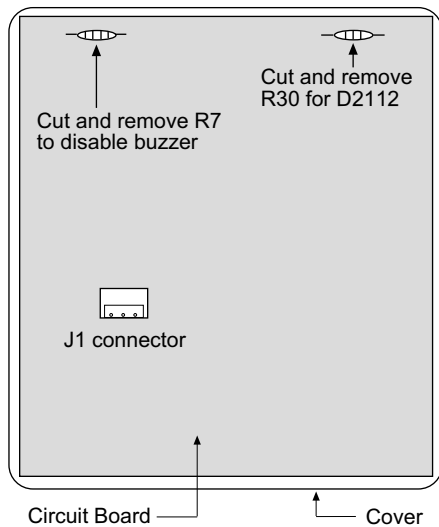
**Route the Keypad Wire** - Route the wire to the mounting location. See the panel's installation manual for information about maximum wire lengths and wire resistance. Route wires away from electrical, telephone, and other data wiring.

**Wire the Connector** - The three-wire connector attaches to the keypad wire. Use solder to splice the wires together. Be sure to insulate all exposed splices with tape to eliminate shorts.

**Remove the Front Cover** - Remove the front cover from the enclosure base. Use a small flat-bladed screwdriver to gently push the two bottom cover-tabs back. As you push back the tabs, lift the bottom of the cover away from the base, then remove the cover.

**To use the D205 with the D2112:** Cut and remove the R30 resistor. See Figure 2.

**If disabling sounder, do so before connecting the keypad to the wire:** To disable the sounder, cut and remove the R7 resistor. See Figure 2.



**Figure 2: Inside the D205 Keypad**

**Fire Points need the trouble sounder:** Disabling the sounder stops the keypad from annunciating fire point troubles. If fire points are installed as part of this system, contact the local AHJ to verify code requirements for fire trouble sounders before disabling.

**Enable sounder for UL systems:** For UL installations, the sounder on at least one keypad must remain connected.

**Mount the Enclosure Base** - While pushing excess keypad wire back into the wall or gang box, place the enclosure base on the wall in the desired location. Use a center punch or a pencil to mark the locations of the mounting holes.

You can mount the enclosure base to a recessed single-gang wall box, if desired. Secure the enclosure base to the wall or gang box.

**Connect the Keypad** - Plug the three wire connector into (J1) on the keypad (see Figure 2).

**Replace the Front Cover** - Align the top two tabs of the enclosure cover with the top two tab slots in the enclosure base. Slide the top of the cover into the base. Gently push the bottom of the cover down on the base until it snaps into place.

**Connect the Keypad to the Panel** - Figure 3 shows a typical installation using one D205 Keypad. Use parallel connections for additional keypads. For more information refer to the panel's installation manual.

### D205 Keypad Specifications

**Operating Voltage:** Nominal 12 VDC supplied by the control/communicator auxiliary power supply.

**Current Requirements:**

Maximum: 125mA keypad backlights on, LCD on, LED on, tone on.

Standby: 30mA (backlights off).

**Enclosure Dimensions:**

Height 5.0", Length 4.5", Depth 1.0"

**Color:** Off-white, white

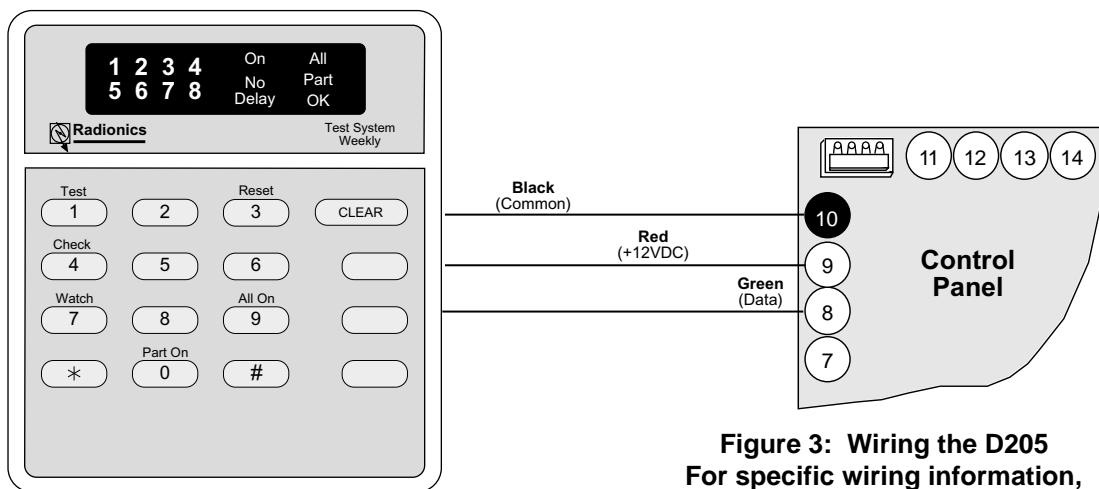
**Operating Temperature:** 0 to 50 °C (32 to 122 °F)

**Non-condensing Relative Humidity:**

5 to 85% at 30 °C (86 °F)

**Command Center Wiring:**

Three-wire cable supplies data and power.



**Figure 3: Wiring the D205**  
For specific wiring information, see the panel's installation manual